

Enquiry for Interior Brushes

Enquiry form

drawing / description of application

Brush Application

- derusting
- removing paint
- deburring
- cleaning
- roughening
- others

Material to be treated

- steel
- aluminium
- wood
- stainless steel
- plastic
- others

Filling Material

- steel
- brass coated steel
- brass
- stainless steel
- PP
- PE
- PA
- Abrasive Filament SIC
- Abrasive Filament AO
- fibre
- horsehair

Dia of filament: _____

Machine used

- angle grinder
- stationary machine
- thread size _____ mm
- shank _____ mm
- special adapter

Quantity: _____

Please mention measurements according to drawing (in mm)

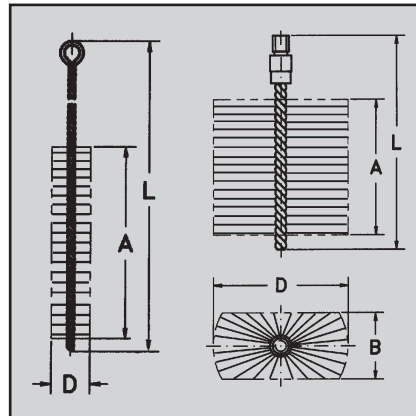
L total length _____

A filling length _____

D diameter _____

B width _____

DD twist wire _____



Sender: Company, contact person

More information required?

Contact:

Lessmann GmbH
Lucas-Schultes-Str 2
86732 Oettingen

Tel.: 09082 707 0
Fax: 09082 707 78

info@lessmann.com
www.lessmann.com

Please fax this form to +49 9082 707 78