

Enquiry for Wheel and Deburring Brushes

Drawing / description of application

Grid area for drawing or description of application.

Piece number _____

Brush Application dry wet

- derusting
- removing paint
- deburring
- cleaning
- roughening / structuring
- weld dressing
- others _____

Material to be treated _____ °C Temperature

- steel
- aluminium
- wood
- stainless steel
- plastic
- others _____

Filling material

- crimped knotted
- steel
- brass coated steel
- brass
- stainless steel
- polyamide
- silicon carbide bristles (SIC)
- aluminium oxide bristles (AO)

Diameter of filling material _____

Please indicate the dimensions according to the technical drawing (mm):

D Diameter _____ mm

DB bore/thread _____ mm

H trim height _____ mm

A working width _____ mm

R tube _____ mm

EBR clamping width _____ mm

Knot type if necessary (more aggressive execution)

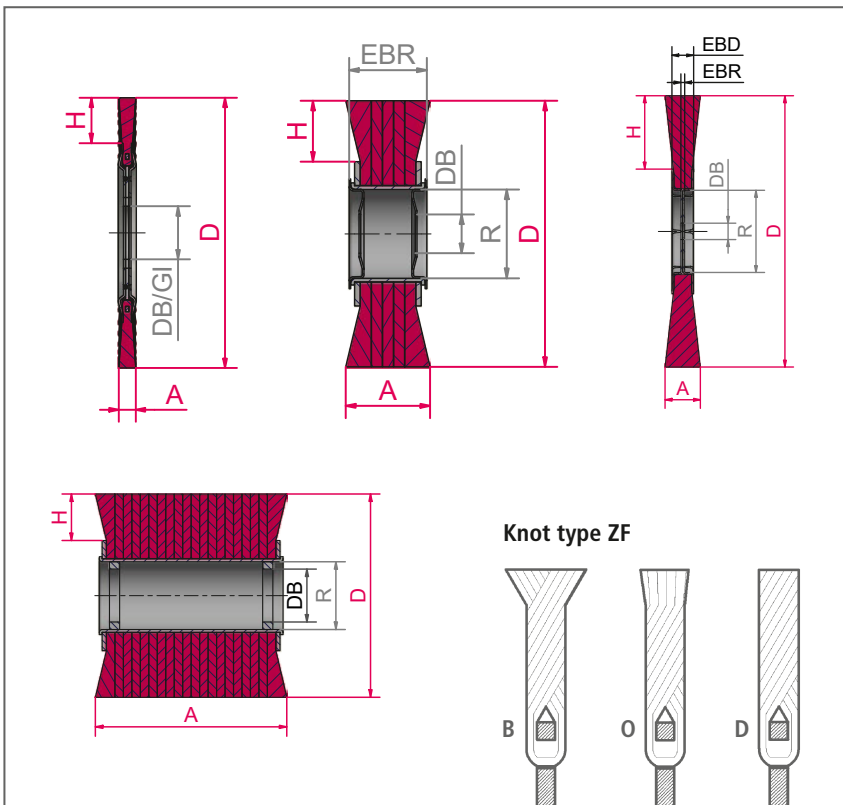
- B Rose Bud
- O open Knot (wire ends are cut)
- D Fully knotted (wire ends are cut completely)

Used machine

- Hand-operated machine (e.g. angle grinders) _____
- stationary machine (z.B. CNC) _____
- others _____

Machine data

max. speed _____



Sender: Company, contact person

Inquiries and Infos:

Phone: +49 9082 707-0

info@lessmann.com

Fax: +49 9082 707-76

www.lessmann.com