

Enquiry for Special Tool Brushes

drawing/description of application

Grid area for drawing/description of application.

Brush Application

- derusting
- removing paint
- deburring
- cleaning
- roughening/structuring
- working on welds
- insulation
- others

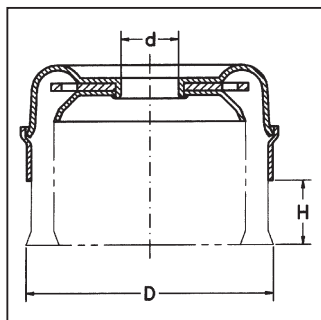
Material

- steel
- aluminium
- wood
- stainless steel
- plastic
- others

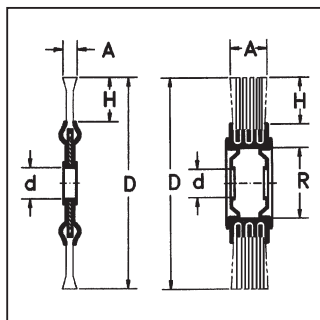
Machine used

- straight grinder
- angle grinder
- pneumatic grinder
- stationary machine

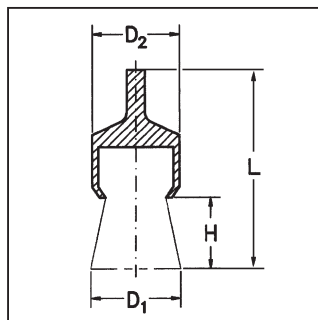
Please mention measurements according to drawing



D = _____
d = _____
H = _____



D = _____
d = _____
H = _____
A = _____
R = _____



D₁ = _____
D₂ = _____
H = _____
L = _____

Machine data

- speed _____[RPM]
- max. outer Ø _____[mm]
- max. clamping width _____[mm]

Filling material

- knotted
- crimped
- desired material

Diameter of filling material _____

Piece number _____

If clamping width required, please mention

sender: company, contact person

More information required?

Hotline Industry Sales department:
+49 9082 707-0
e-mail: info@lessmann.com

Please fax this form to: +49 9082 707-78