

Enquiry for Strip Brushes

drawing/description of application

Brush Application

- cleaning
- roughening
- strip
- insulation
- others

Material

- steel
- aluminium
- wood
- stainless steel
- plastic
- others

Filling material

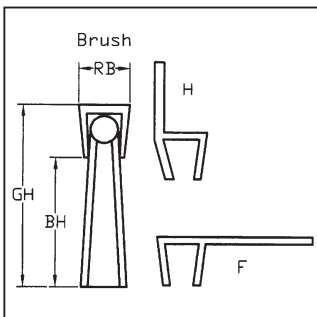
- steel
- brass
- stainless steel
- PP
- PA
- PE
- fibre
- horsehair

Diameter of filling material _____

Body

- stainless steel
- steel

Piece number _____



Please mention measurements according to drawing

GH whole height _____

BH filling height _____

RB back width _____

shape of fixing: H F

Please ask for measurements of aluminium fixings

sender: company, contact person

More information required?

Hotline Industry Sales department:

+49 9082 707-0

e-mail: info@lessmann.com

Please fax this form to: +49 9082 707-78