

Enquiry for Interior Brushes

drawing/description of application

Brush Application

- derusting
- removing paint
- deburring
- cleaning
- roughening
- others

Material

- steel
- aluminium
- wood
- stainless steel
- plastic
- others

Machine used

- drilling machine
- stationary machine

brush seat

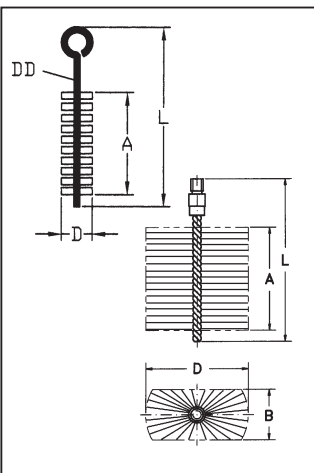
- thread size _____
- shank 6 mm
- special fixing _____

Filling material

- steel
- brass coated steel
- brass
- stainless steel
- PP
- PA
- PE
- abrasive nylon (SIC)
- abrasive nylon (AO)
- fibre
- horsehair

Diameter of filling material _____

Piece number _____



Please mention measurements according to drawing

- L whole length _____
- A filling length _____
- D diameter _____
- B width _____
- DD twist wire _____

sender: company, contact person

More information required?

Hotline Industry Sales department:
+49 9082 707-0
e-mail: info@lessmann.com

Please fax this form to: +49 9082 707-78